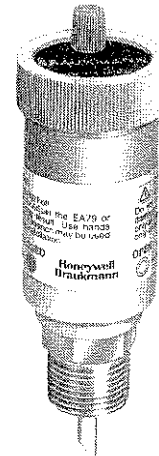


## EA79 Industrial Air Vent

*The Honeywell Braukmann EA79 Industrial Air Vent purges air from high pressure mains and equipment in hot or cold closed water systems.*



- Includes built-in shutoff valve for servicing without system shutdown.
- Removable float/valve assembly for easy servicing.
- Includes safety drain connection and vent cap with leakage guard.
- Brass shell construction.
- Internal parts made of corrosion-resistant and chemical-resistant materials for use with water systems containing glycol, mineral oils, or petroleum-based oils.
- For use with water systems up 250° F [120° C].
- 3/4 in. NPT male pipe thread with 1/2 in. NPT female pipe thread connections.
- Maintains quiet and efficient operation.

### CONTENTS

Specifications .....	2
Ordering Information .....	2
Installation .....	3
Operation .....	4
Service .....	4
Troubleshooting .....	5

# Specifications

**MATERIALS OF CONSTRUCTION:**

- Body: Brass.
- Cover ring: Brass.
- Float, valve lever and cover: Engineered thermoplastics.
- Seal disc and rings: Synthetic rubbers.

**OPERATING RATINGS:**

- Maximum Pressure: 150 psi
- Maximum Temperature: 250° F [120° C]

**SAFETY RATINGS:**

- Maximum Pressure: 450 psi
- Maximum Temperature: 250° F [120° C]

**CONNECTIONS:** 3/4 in. NPT male pipe thread with 1/2 in. NPT female pipe thread.

**DIMENSIONS:** Refer to Fig. 1.

**CAPACITIES:** Refer to Fig. 2.

Fig. 1—EA79 dimensions in in. [mm].

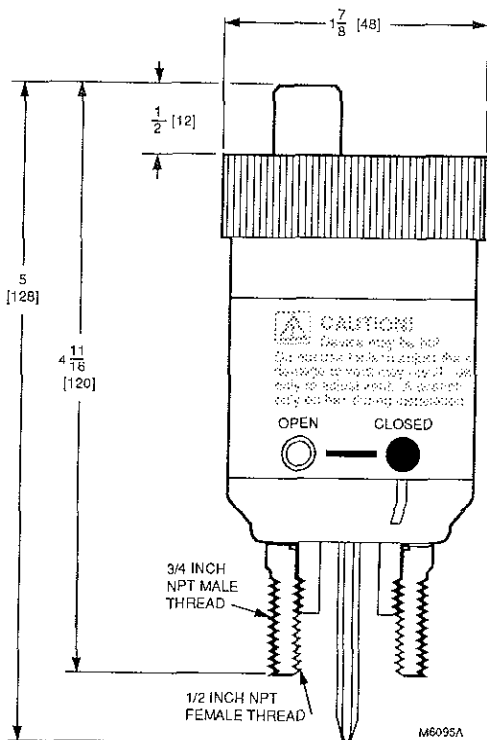
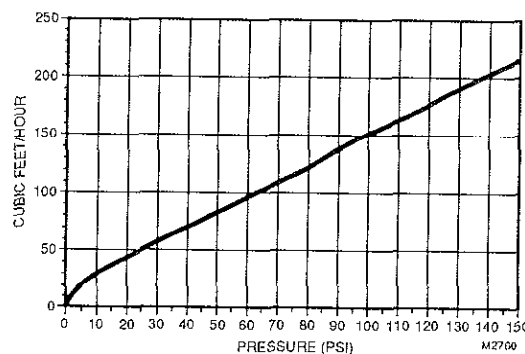


Fig. 2—EA79 flow capacities, with leakage guard cap.



NOTE: Capacity indicated is for device with leakage guard cap correctly installed and operational. Additional capacity may be obtained by removing the leakage guard cap and installing a connection between the vent discharge and drain using Q122A1001 Safe Waste Connector.

## Ordering Information

When purchasing replacement and modernization products, specify the complete model number.

1. If you have additional questions, need further information, or want to comment on our products or services, call: 1-800-345-6770, ext. 7188.  
 Or write:  
 Honeywell Customer Assistance Center  
 Honeywell Plaza, MN27-2164, P.O. Box 524  
 Minneapolis, Minnesota 55440-0524
2. To place an order, contact:  
 Honeywell Braukmann Customer Service  
 1985 Douglas Drive North  
 Minneapolis, Minnesota 55422-3992  
 (612) 542-7106 (Eastern US)  
 (612) 542-7103 (Western US)
3. Or fax your order to 1-800-356-0149.

**INDUSTRIAL AIR VENT:**

Description	Model Number
Industrial automatic air vent	EA79A1004

**ACCESSORIES:**

Description	Part Number
Cover assembly—includes replacement O ring, cover and float assembly.	P79B1003
Safe waste connector for connecting top vent to 1/4 in. O.D. tube.	Q122A1001
Red vent cap with leakage guard.	204992

# Installation

## WHEN INSTALLING THIS PRODUCT...

1. Read these instructions carefully. Failure to follow them could damage the product or cause a hazardous condition.
2. Check the ratings given in the instructions and on the product to make sure the product is suitable for your application.
3. Installer must be a trained, experienced service technician.
4. After installation is complete, check out product operation as provided in these instructions.

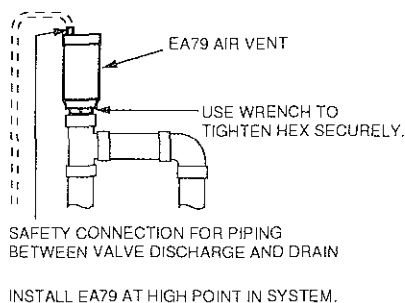
## CAUTION

Do not use tools to adjust the EA79 or damage to vent may result. Use hands only to adjust vent. A wrench may be used only on hex during installation.

## LOCATION

Install the EA79 on the positive side of the circulator pump at the point where air will accumulate. This is usually the high point of the supply or the return main in the system as shown in Fig. 3.

Fig. 3—Install EA79 at high point in system.

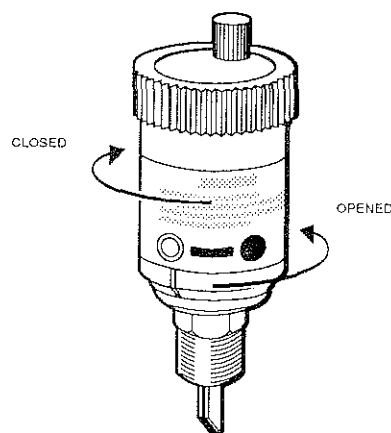


M6098

## INSTALLATION

1. Fit EA79 vent in piping at a location as specified in the Location section.
2. Turn EA79 until vent fits tightly on piping. Use a wrench to securely tighten hex.
3. If safety drain connection is desired, install a pipe between vent discharge and drain using Q122A1001 Safe Waste Connector.
4. Make sure that the red vent cap is securely tight, and that the valve is in the closed position by turning vent body clockwise. See Fig. 4. Use hands only to avoid damaging the vent.
5. With the valve in the closed position, flush the system as required to remove dirt, debris and contaminants.
6. Fill the system with the appropriate solution.
7. Operate the EA79 by turning the air vent body counterclockwise to the open position. Use hands only, see Fig. 4.
8. Make sure the red vent cap is tightened all the way to the stop position for proper leakage guard operation. Use hands only to tighten.

Fig. 4—Turn vent body counterclockwise to open or clockwise to close.



M6099

# Operation

The EA79 operates as follows:

Opening the air vent (turning valve body counterclockwise) exposes the EA79 to the system. Water and air may enter the vent chamber. The float will fall through any air in the chamber. This opens the vent seat.

The red vent cap allows air to pass through the open vent. As the air is released through the vent cap, water replaces

the air in the vent chamber and the float rises. This closes the vent seat. When additional air enters the vent chamber, the operation repeats.

If the vent seat remains open, water will rise through the vent and cause the swelling disks inside the red cap to close off the vent. Closing the air vent (turning valve body clockwise) isolates the EA79 from the system, allowing service.

# Service

## CAUTION

The EA79 may be hot due to system temperature extremes. Use caution when adjusting vent to prevent burning hands.

The EA79 may become accumulated with dirt in the seat area of the float assembly, which may cause the vent to malfunction. Periodic cleaning is recommended to prevent the vent from malfunctioning.

NOTE: The EA79 may be serviced without depressurizing or draining the system.

To clean the seat area, proceed as follows:

1. Turn the vent body clockwise to the closed position, isolating the vent from the system. See Fig. 4.
2. Remove the float assembly by unscrewing the outer ring at the top of the body and lifting up the black cover assembly. See Fig. 5.
3. Carefully clean the seat area of any dirt or debris.

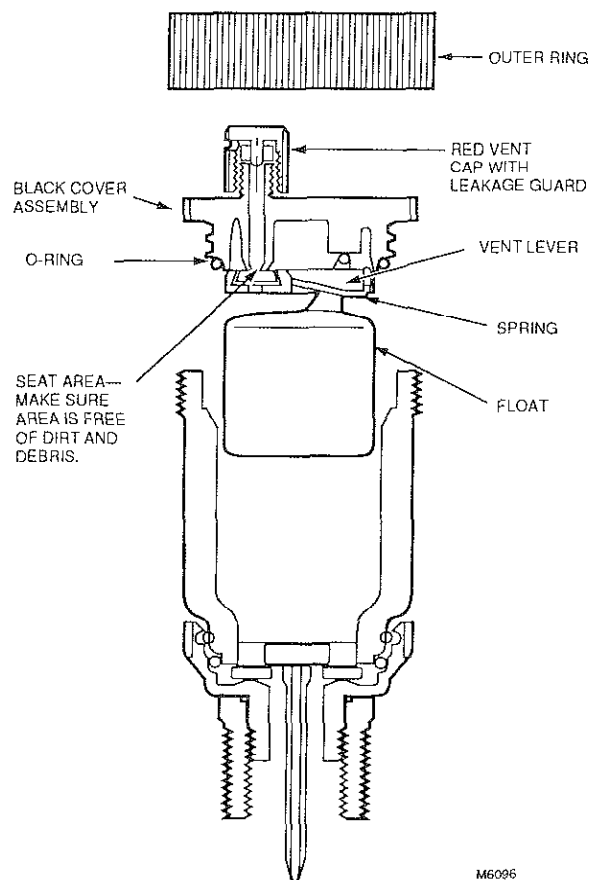
## CAUTION

Do not bend spring on float assembly or damage to the vent may result.

4. Carefully clean any dirt or debris from inside the vent chamber.
5. Replace the float assembly, making sure that the O ring is seated properly (see Fig. 5).
6. Replace black cover assembly on air vent body.
7. Using hands only, replace outer ring, turning until handtight.
8. Operate the EA79 by turning the air vent body counterclockwise to the open position. Use hands only. See Fig. 4.

9. Make sure the red vent cap is tightened all the way to the stop position for proper leakage guard operation. Use hands only to tighten.

Fig. 5—EA79 construction.



# Troubleshooting



## **CAUTION**

The EA79 may be hot due to system temperature extremes. Use caution when adjusting vent to prevent burning hands.

Problem	Action
The EA79 is not venting air or there is too much air in the system.	<ol style="list-style-type: none"> <li>1. Check the red vent cap; make sure the vent passage is open (disks are not swelled).</li> <li>2. Check that the valve is in the open position.</li> <li>3. Make sure that the float is attached to the vent lever as shown in Fig. 5.</li> </ol>
Water is leaking from the EA79.	<ol style="list-style-type: none"> <li>1. Make sure the red vent cap is tightened all the way to the stop position.</li> <li>2. Adjust the valve to the closed position by turning the vent body clockwise.</li> <li>3. Clean the vent as described in the Service section.</li> <li>4. If internal parts appear damaged or deteriorated, replace cover assembly (part no. P79B1003).</li> </ol>

# Honeywell Braukmann

---

Honeywell Braukmann  
Honeywell Inc.  
1985 Douglas Drive North  
Golden Valley, Minnesota 55422

*Helping You Control Your World*

Printed in U.S.A.